

# Installation Instructions

## HARPER 2LT SPOT LIGHT

CODE#6359 & 6382

Rated Voltage 220-240V~, 50Hz

Thank you for purchasing this quality product. To ensure correct function and safety, please read and follow all instructions carefully before assembly, installation, and use. Please keep the instructions for future reference.

### Warranty

- Please retain proof of purchase and evidence of assembly and installation by a licensed electrician.
- If the fitting is not assembled and installed by a licensed electrician, the warranty will be null in void.
- Warranty will be null in void if there is any damage due to improper usage or modification to the product.
- Failure to comply with the instructions in this manual may increase the risk of damage or injury and will void the warranty.


### Installation requirements

- Must be installed by a licensed electrician.
- All wiring and installation of the light fitting must adhere to local and national wiring rules.
- Do not exceed the maximum wattage rating.
- Select a suitable location for installation.
  - This product is suitable for indoor use only.
  - The mounting point must support 2 times the weight of the fitting.
  - Ensure the fitting is not installed in direct line of an air vent/system.
  - When installing a fitting in an area prone to moisture, ensure that the area is well ventilated, and an appropriately rated exhaust fan is used if required. Damage or corrosion caused by moisture is not a product fault, and as such is not covered under the warranty period.
- Take care not to pull any electrical wires during unpacking as this may damage the connection.
- Lay out all the components on a smooth surface and make sure that there are no components missing before assembling. If parts are missing, return the complete product to the place of purchase for inspection or replacement.
- Check whether the fitting has been damaged during transport. Do not operate/install any product which appears damaged in any way. Return the complete product to the place of purchase for inspection, repair, or replacement.
- Ensure power to the circuit you are working on has been switched OFF before commencing any electrical work.

### Installation directions

1. Remove all packaging material from the product.
2. Install the mounting plate (C) onto the ceiling by using appropriately sized mounting screws (D) and anchors (B). Ensure the screws (D) and anchors (B) used are suitable for the mounting surface and surrounding environment.
3. Connect the mains supply wire to the terminal block (A). Ensure the wires are secure and no bare wires are exposed.

#### Mains Supply Wire

Earth – Yellow/Green 

Neutral – Blue or Black

Live – Brown or Red

#### Fitting Wire

Yellow/Green or 

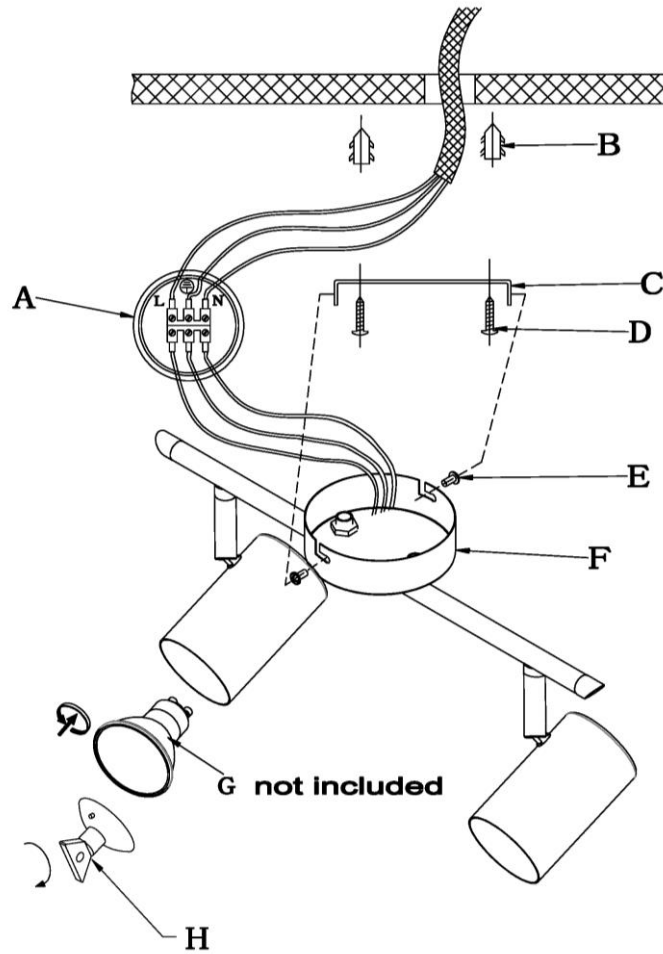
Blue or N

Brown or L

4. Use the screw (E) to secure the base (F) onto the mounting plate (C).

# Installation Instructions

5. Install a globe (G-not included) into the socket by using the sucker (H). Do not exceed the maximum wattage rating.
6. After the installation, switch on the fitting to test and enjoy your new lighting product.



## Safety tips

- Always ensure the power is OFF and the product has cooled down before performing any maintenance, cleaning, or adjustment to the product.
- To avoid injury or damage to the product, ensure that power leads and screws are secure before connecting the power.
- Handle the product and/or shade with care to avoid any damage or breakage.
- Select a suitable location away from water and hazards.
- Ensure that the product does not come into contact with corrosive chemicals, etc.
- To clean wipe with a dry cloth. Never soak the product with water.

## Specifications

Code#	6359	6382
Colour/Finish	Black	White
Rated Voltage	220-240V~, 50Hz	
Rated Wattage	Max. 5W LED	
Lamp Holder	GU10	
Dimensions	W: 390mm E:130mm H:150mm	